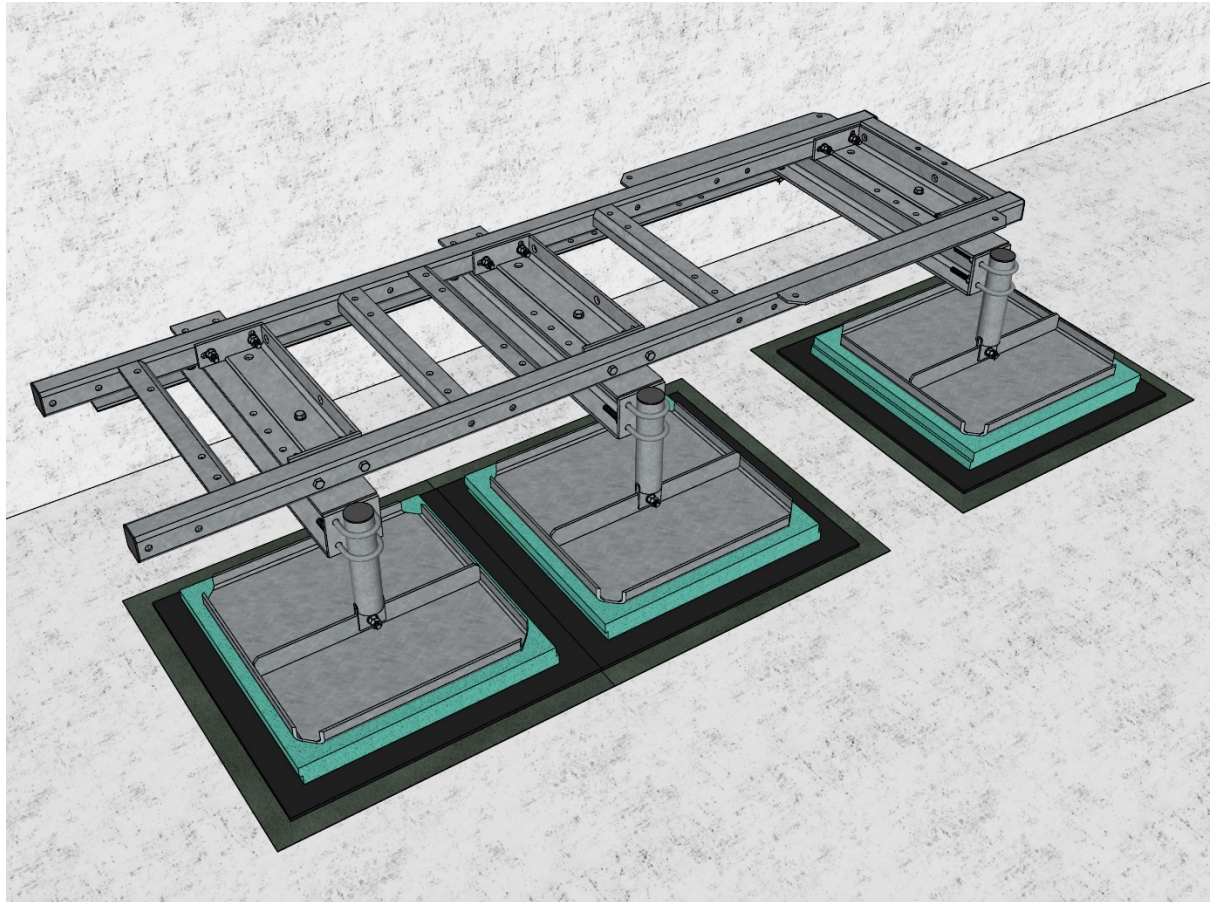


## GR 129-20

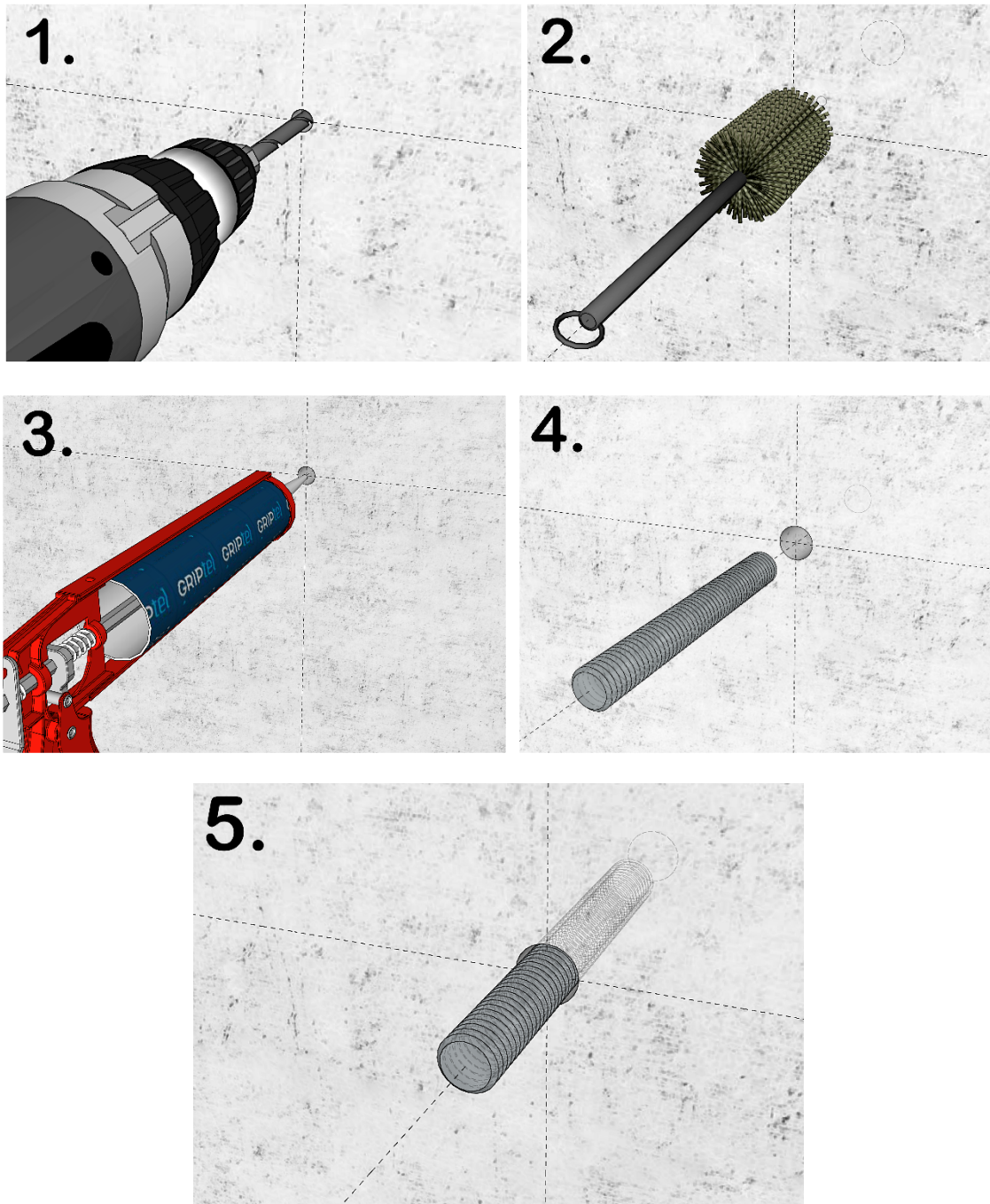
RAMME PÅ VEGG FOR RU/LR UTSTYR - 3 STK BJELKER 0,8M

### OVERVIEW



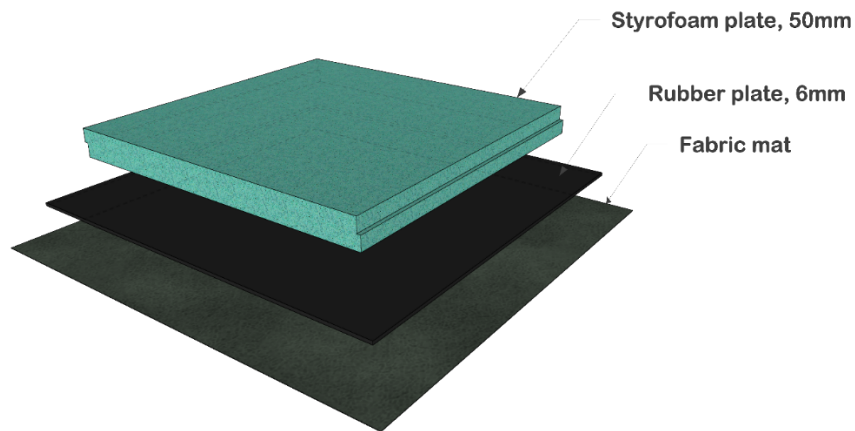
## 1. PREPARING FOR THE INSTALLATION

- i**
1. Drill hole to specified diameter and depth
  2. Blow out the dust and clean dust and debris using brushing
  3. Inject adequate MULTICOMPOUND/ Order from our web-shop: "[Pluggmasse/Pluggmasse MSC](#)" (if the type of the wall requires, use appropriate anchors/ Order from our web-shop: "[SIHYLSTER](#)")
  4. Insert threaded rod and cut excess part of the stud



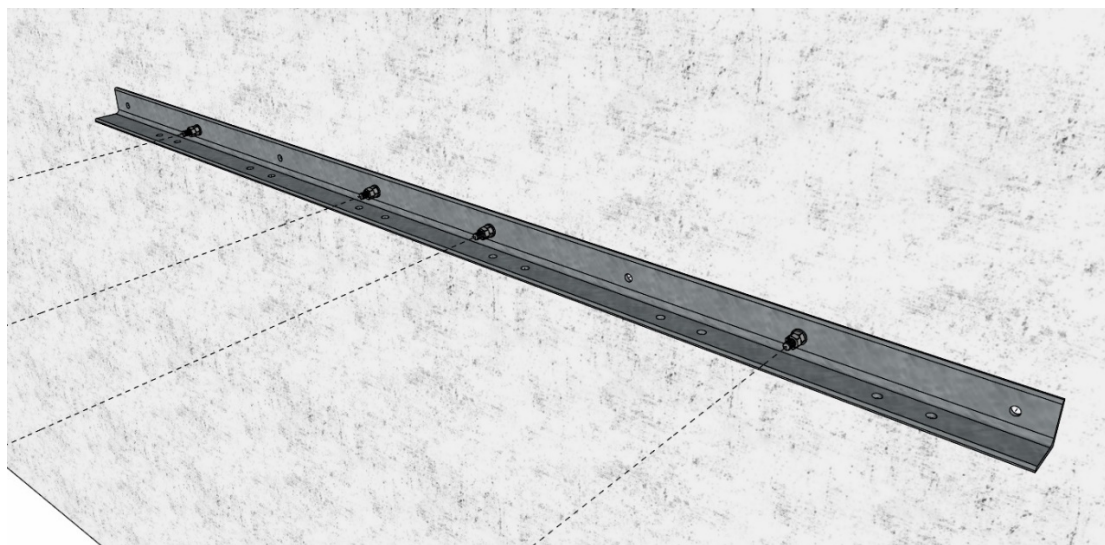
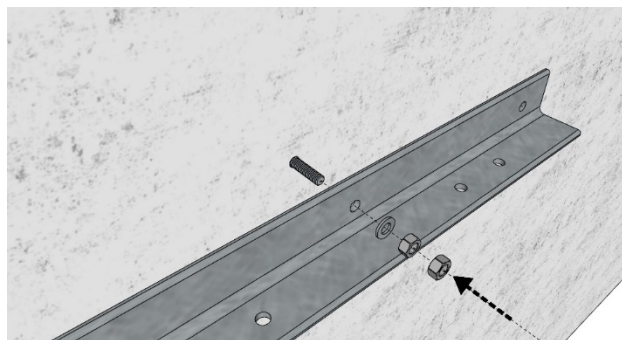
## 2. PREPARE FLORING

**i** Protect the surface from the damaging using Styrofoam plate, rubber surface and fabric mat below each supporting plate



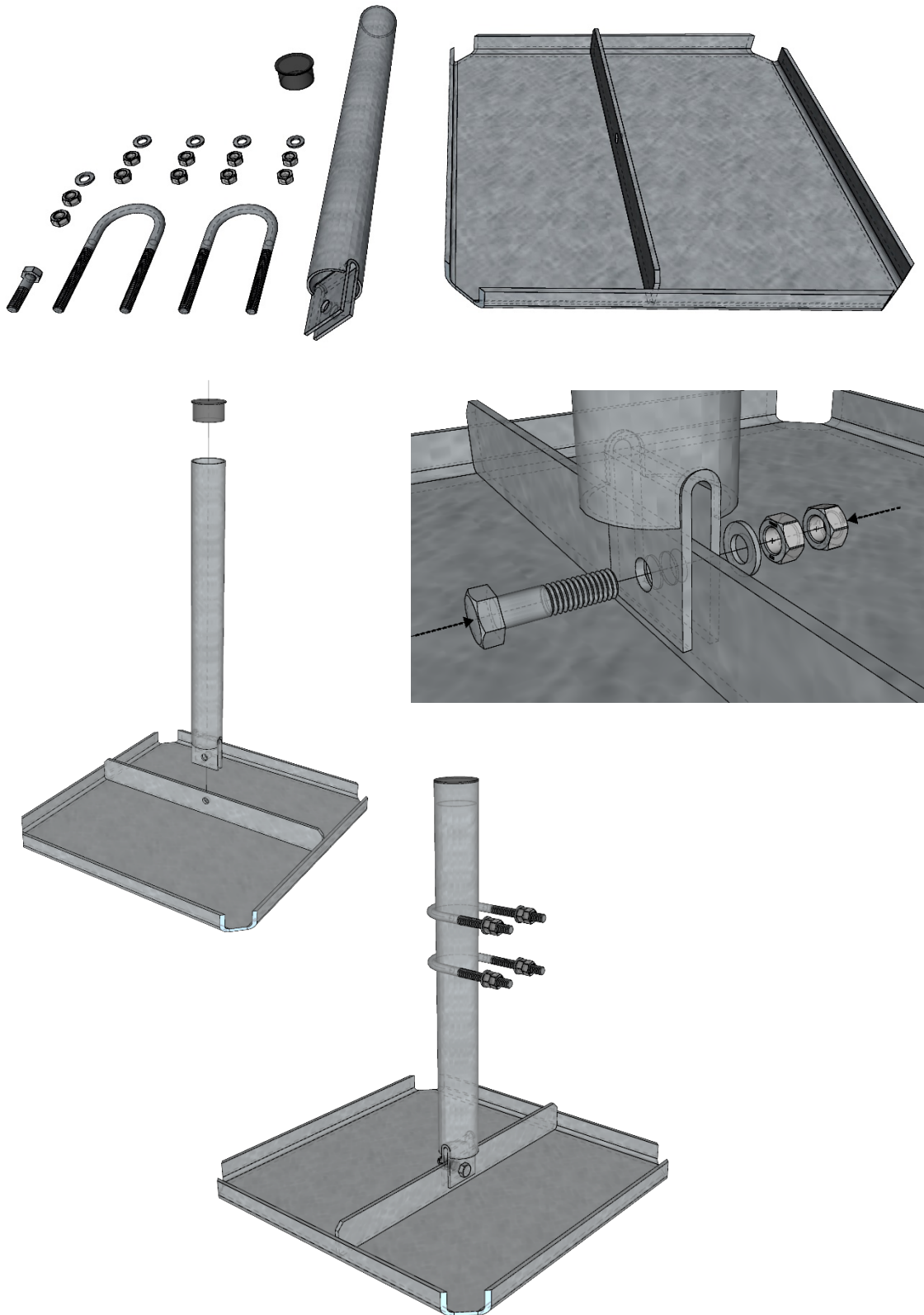
## 3. SUPPORTING HORIZONTAL BEAM

**i** Install 1x horizontal beam/ L-Profile **GR120-11-P22** on the prepared chemical anchors on the wall;  
Be sure to level the beam to a horizontal position  
*Note: Threaded rod, bolts and washers are not included*



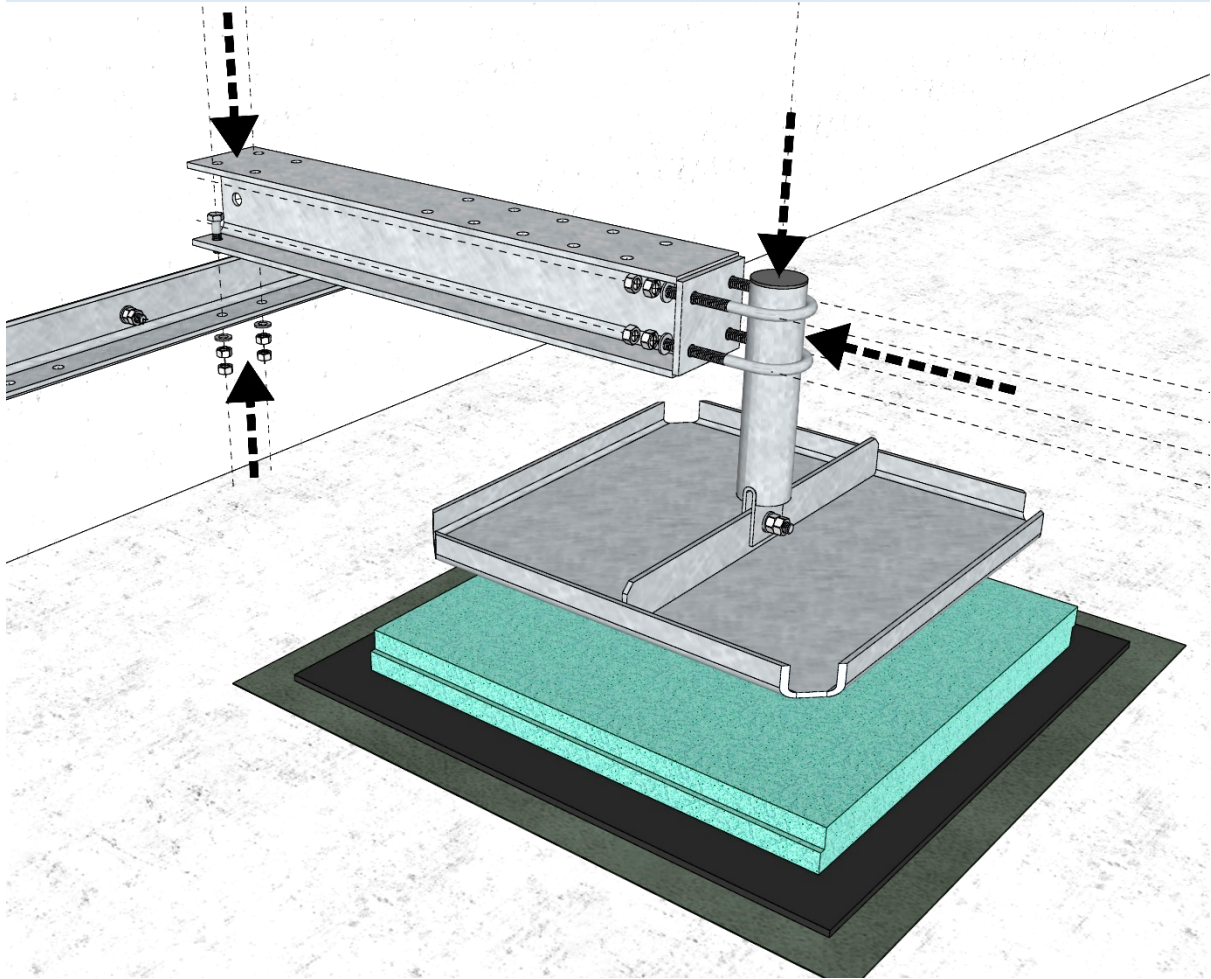
#### 4. Lastfordelende plate m. Ø60 rør - L=600mm; GR120-11-P19

- i** Place the central tube to the vertical position on the base frame;  
Cut excess part of the tube after installation;

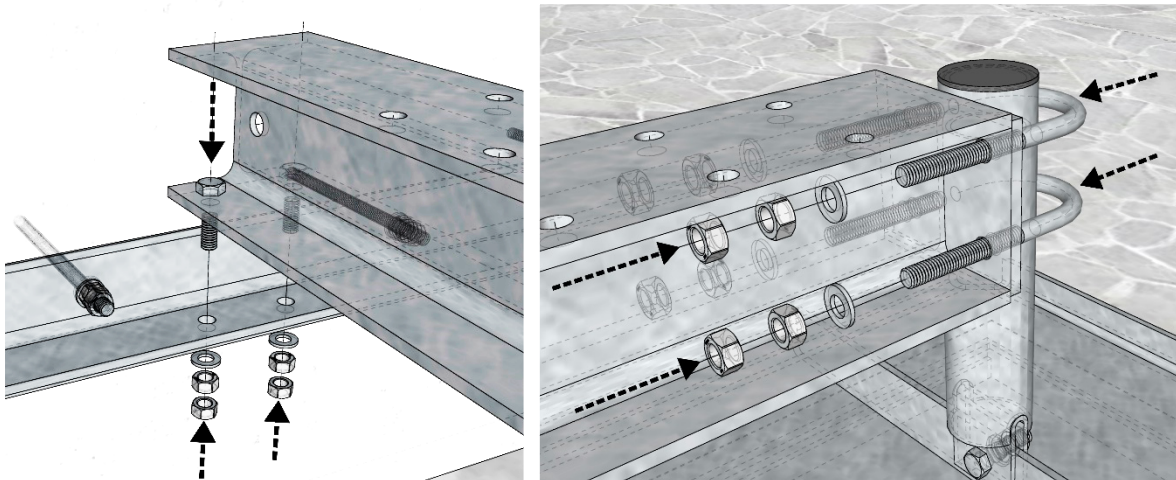


## 5. VERTICAL SUPPORTS

- i** Attach 3x **GR120-10-P01** vertical supports to the horizontal beams **GR120-11-P22** at the wall side and make additional support using vertical support tube 3x **GR120-11-P19** on the other end.  
Supporting pipes needs to be cut and level with top of the horizontal supporting beam

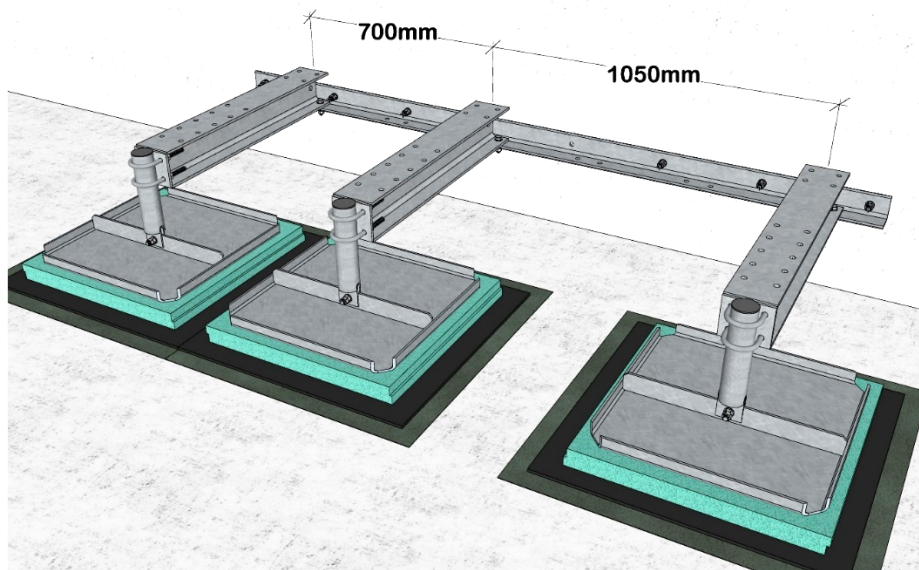


- i** Use 2x bolt M12x40, washer and bolts for M12 and counter bolt to attach two horizontal beams



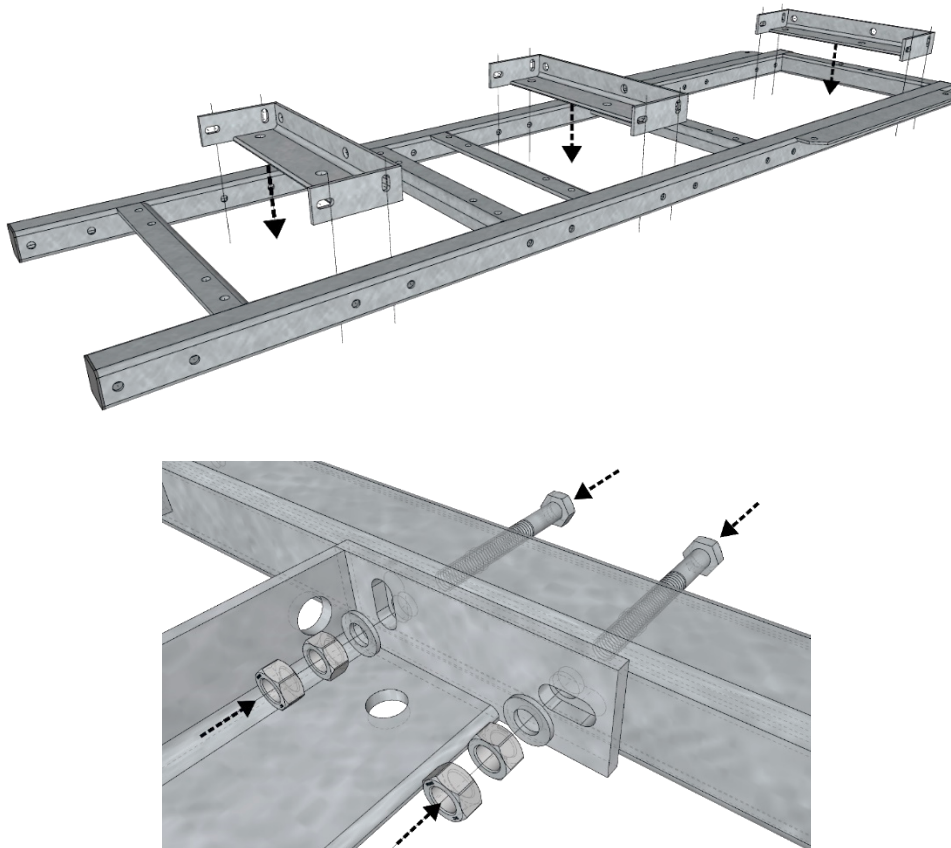
## MOUNTING INSTRUCTION

**i** Recommended distance between 3x main beams should be 700/1050mm (see drawing below)



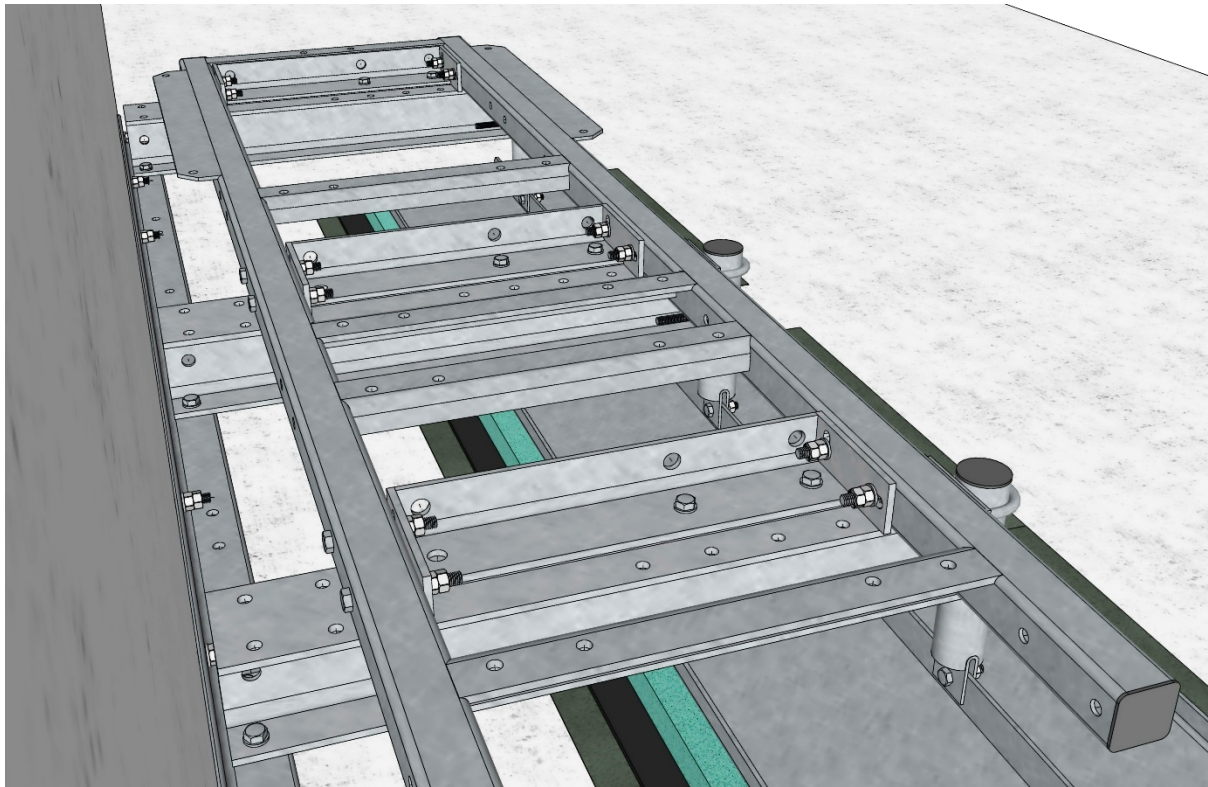
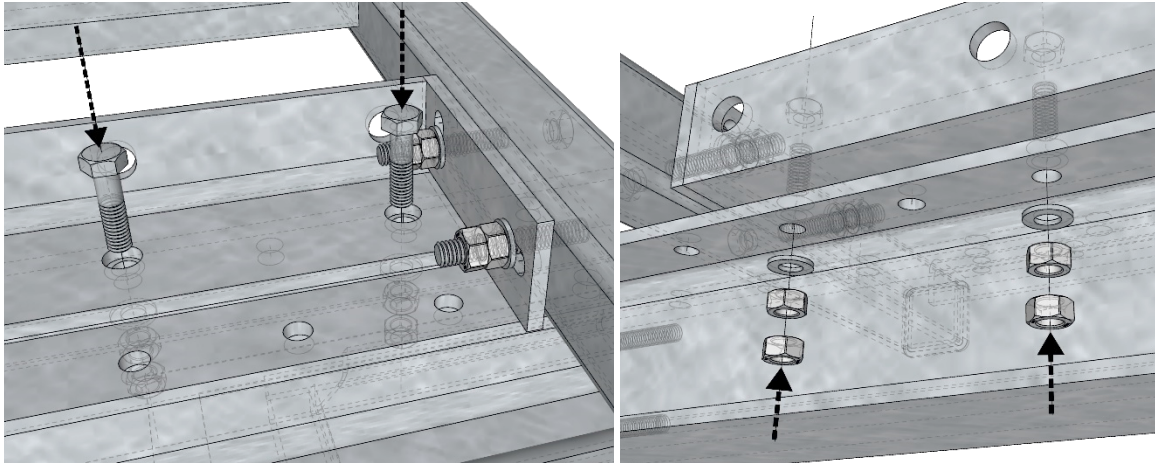
### 6. EQUIPMENT FRAME

**i** Prepare frame **GR120-12-P25** by adding 3x fixing brackets **GR120-10-P09** and support them using 12x M12x100 bolts  
(Distance between fixing brackets should follow recommended distance between main horizontal beams – 700/1050mm)



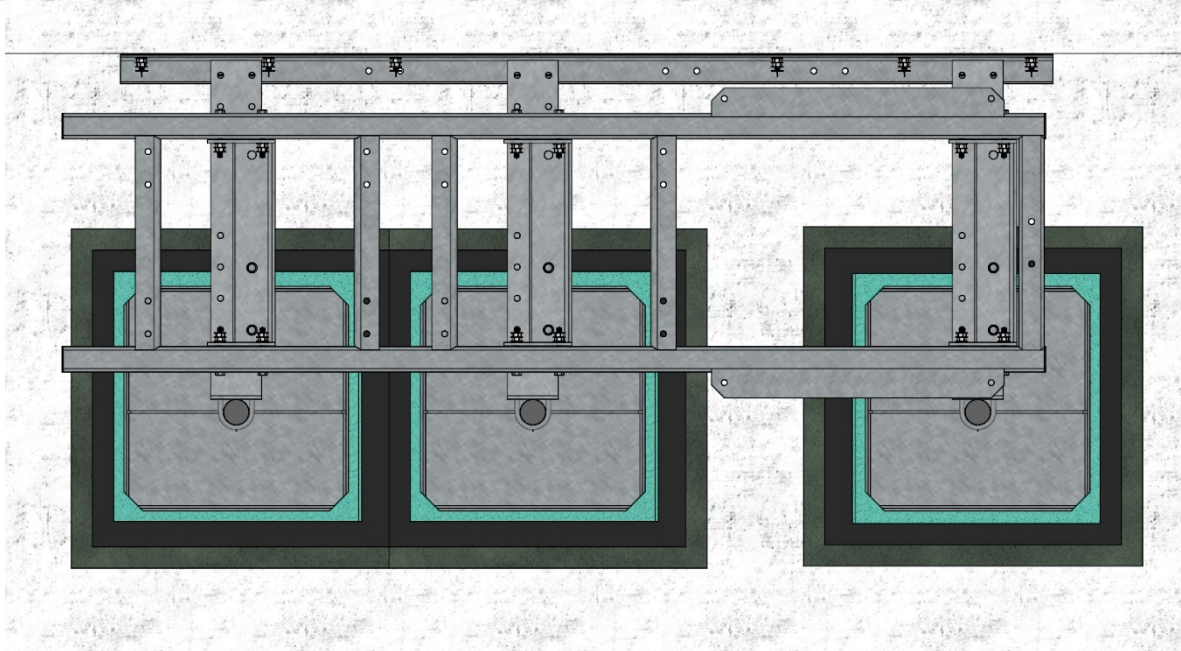
## MOUNTING INSTRUCTION

**i** set the frame for equipment over beams using 6x M12x40 bolts

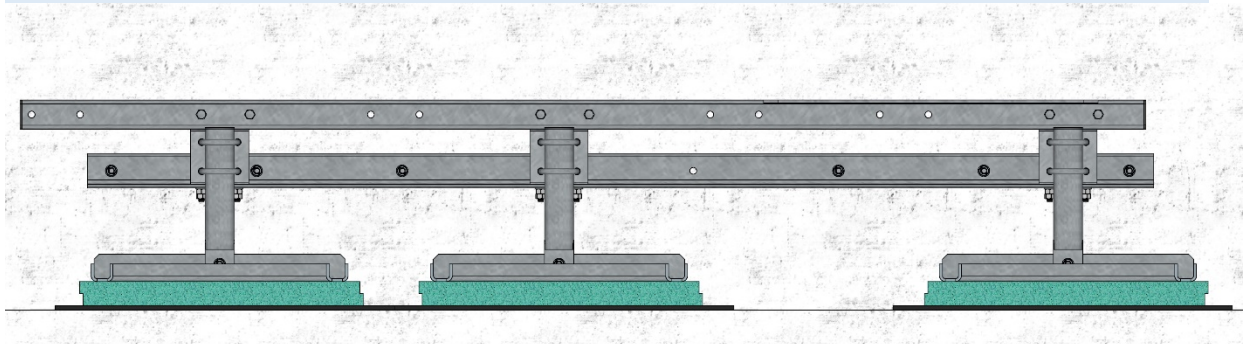


## 7. LAYOUT DRAWING

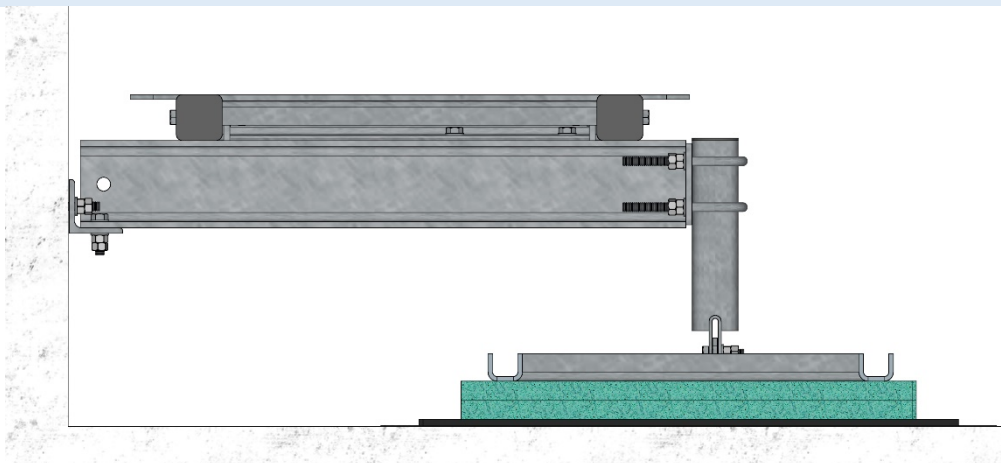
**i** Top view



**i** Front view



**i** Side view





## 8. RRU SUPPORT - OPTIONAL

**i** Install RRU-support **GR120-13-P35** on the side of the GR129-01 steel platform using 4x M12x100

Note: Order separately

