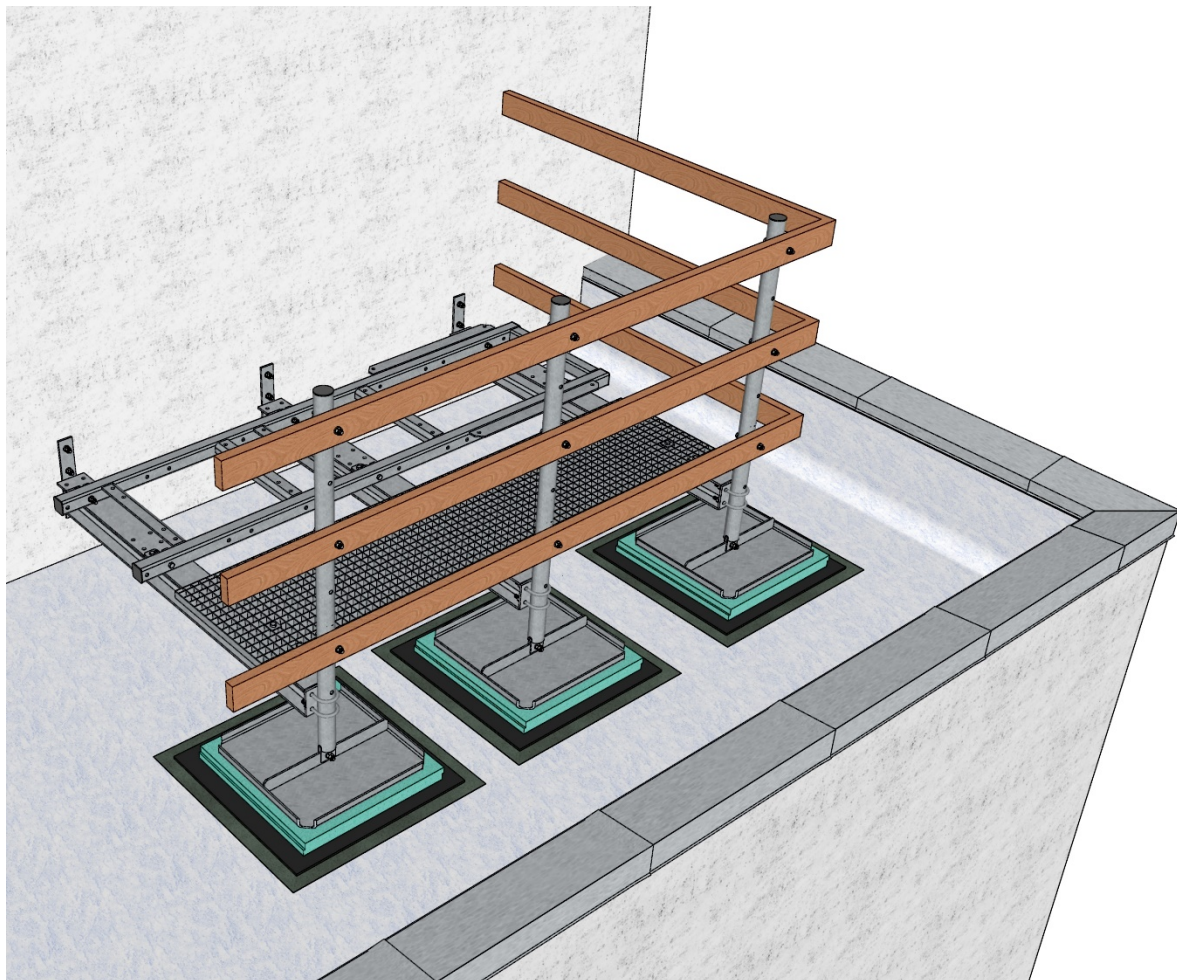


GR 129-14

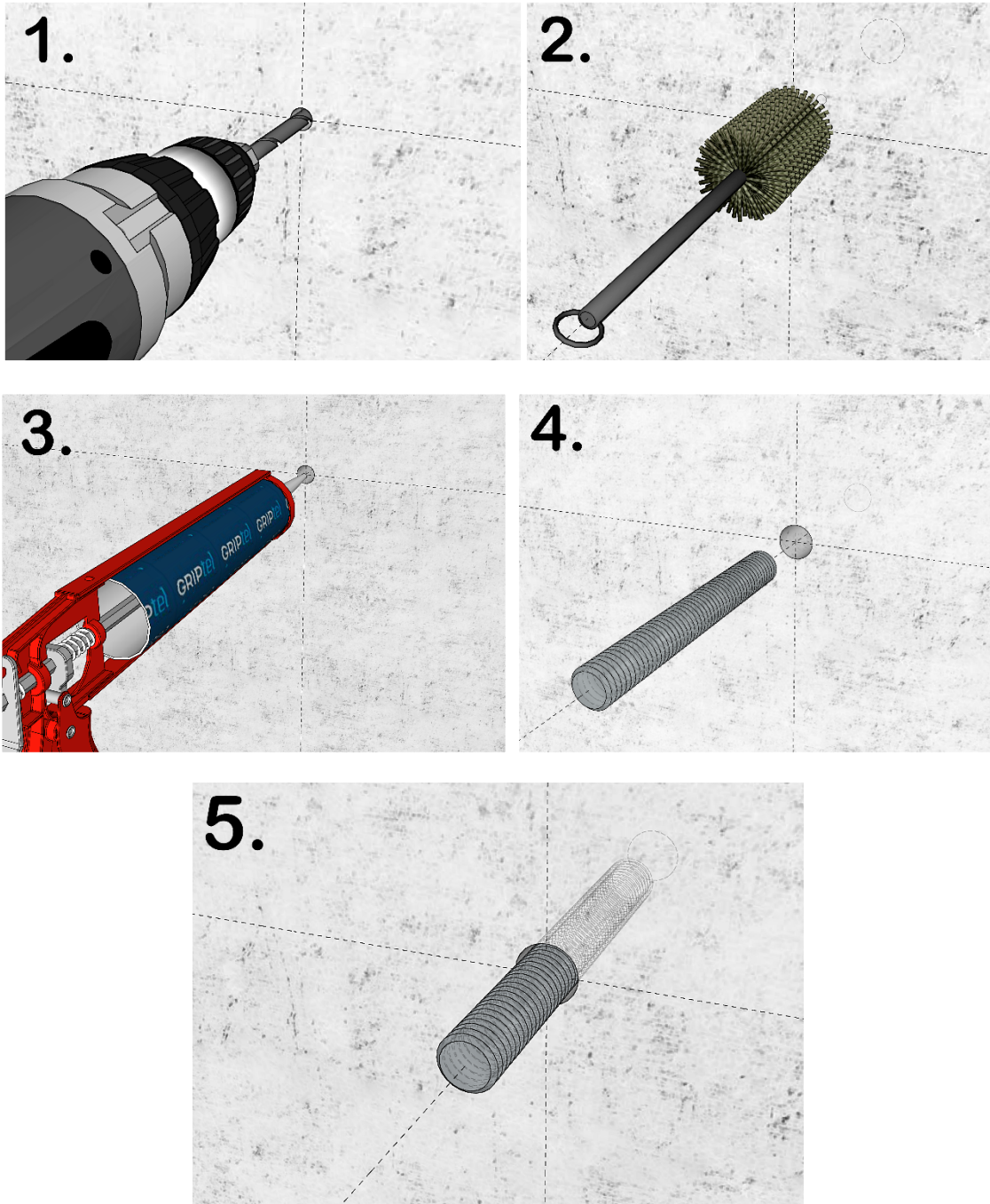
16 RAMME PÅ VEG FOR RU/LR UTSTYR - 3 STK BJELKER

OVERVIEW



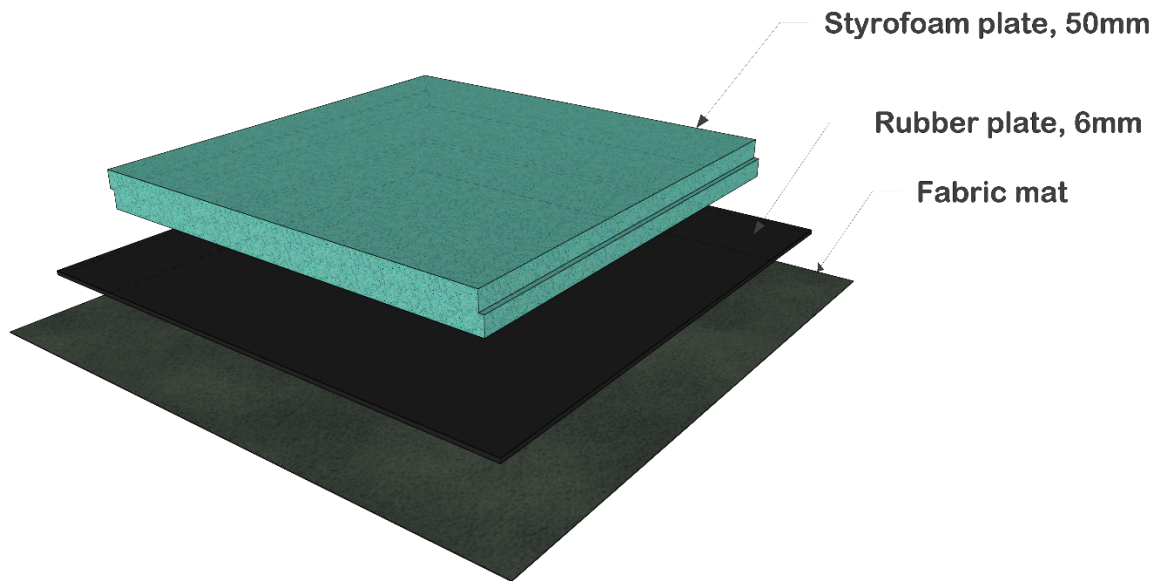
1. PREPARING FOR THE INSTALLATION

- i**
1. Drill hole to specified diameter and depth
 2. Blow out the dust and clean dust and debris using brushing
 3. Inject adequate MULTICOMPOUND/ Order from our web-shop: "[Pluggmasse/Pluggmasse MSC](#)"
(if the type of the wall requires, use appropriate anchors/ Order from our web-shop: "[SIHYLSTER](#)")
 4. Insert threaded rod and cut excess part of the stud



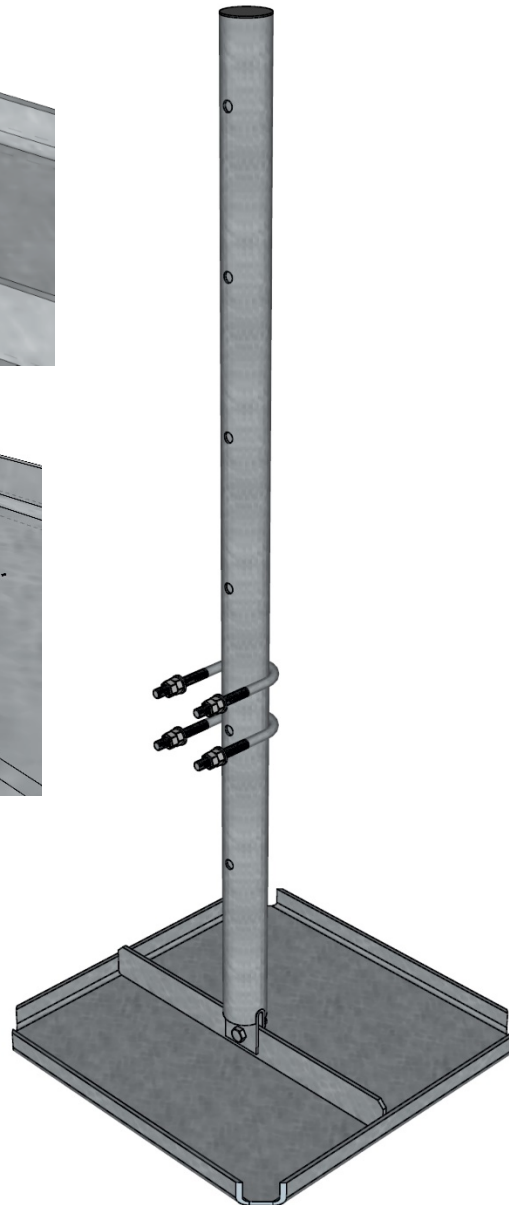
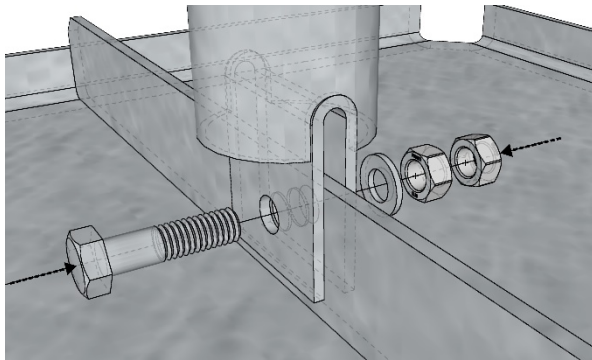
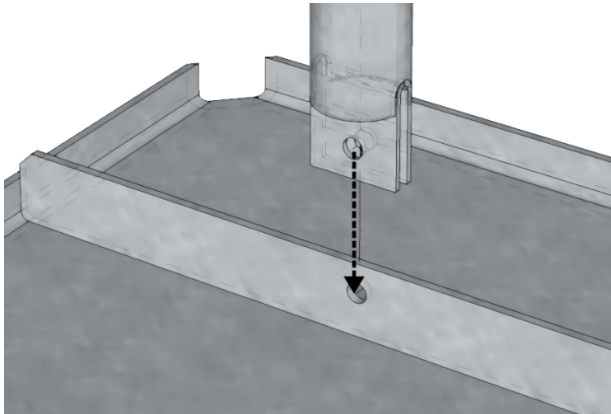
2. PREPARE FLORING

i *Protect the surface from the damaging using Styrofoam plate, rubber surface and fabric mat below each supporting plate*



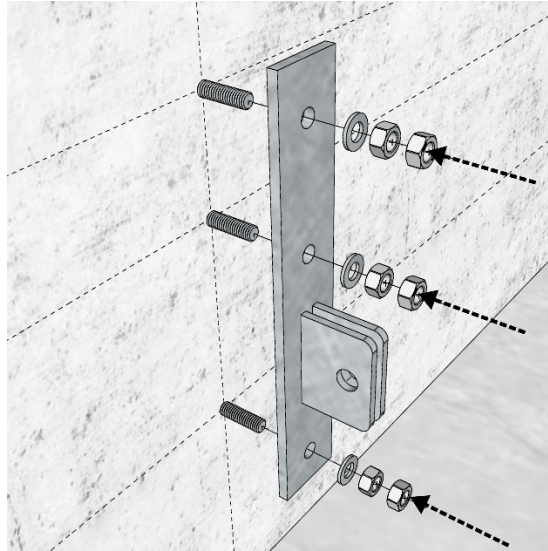
3. Lastfordelende plate m. Ø60 rør L=1400mm; GR120-11-P19L

i Place the central tube to the vertical position on the base frame;

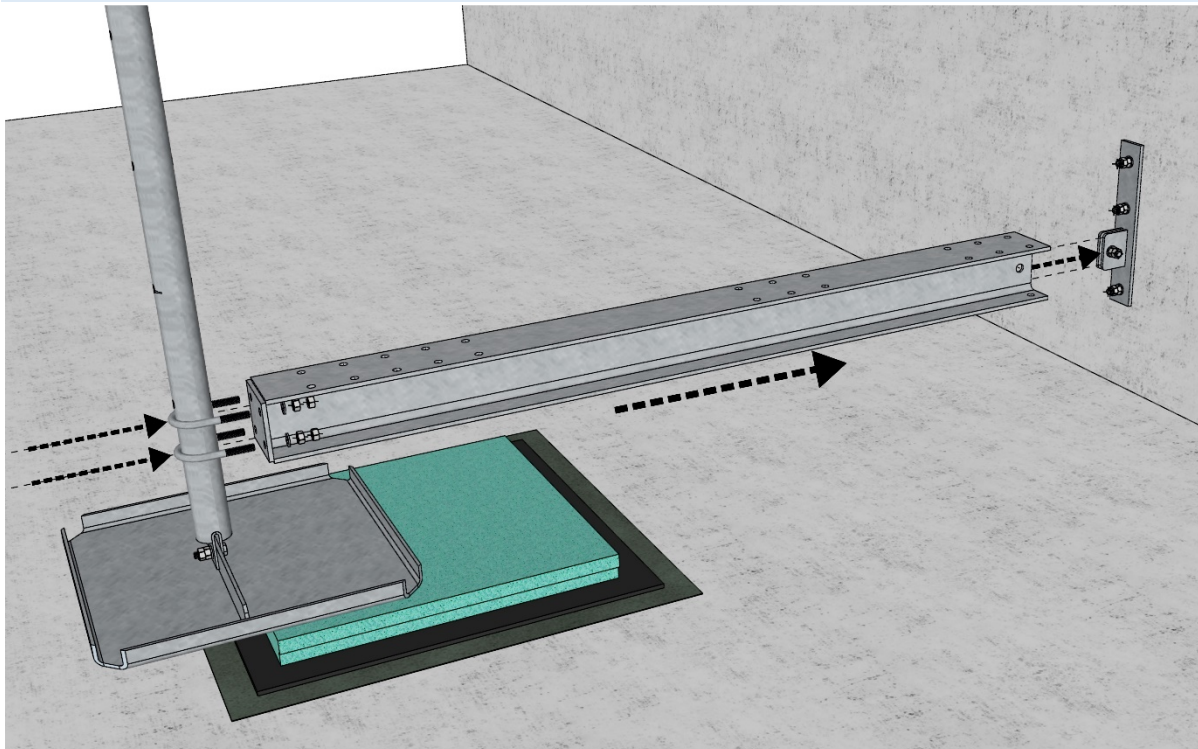


4. SUPPORTING WALL BRACKETS

- i** Install 3x wall brackets **GR120-11-P20** on the prepared chemical anchors on the wall;
(Recommended: Distance between three wall brackets 950/1050mm for Platform **GR129-14**)

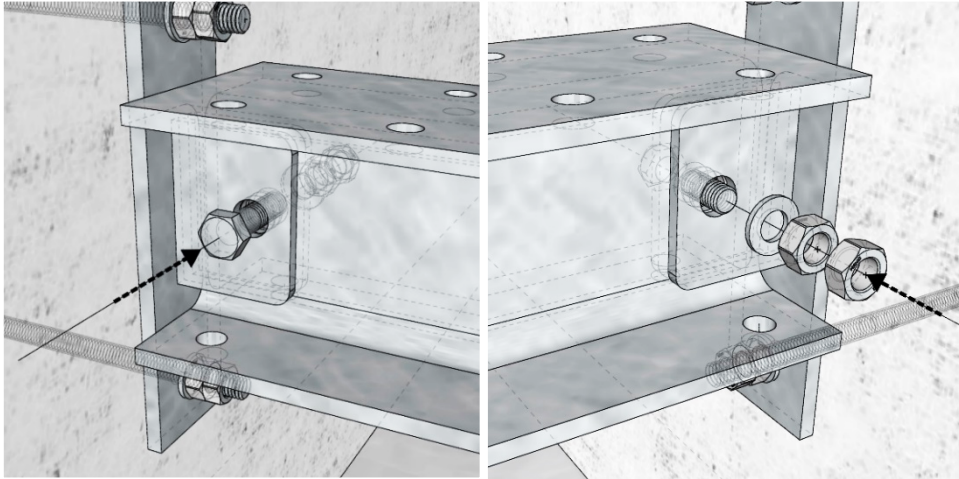


- i** Attach 3x **GR120-10-P03** horizontal beams to the prepared wall supports **GR129-10-P20** on the wall side and attach vertical support pipe **GR120-11-P19L** on front end of the beam.

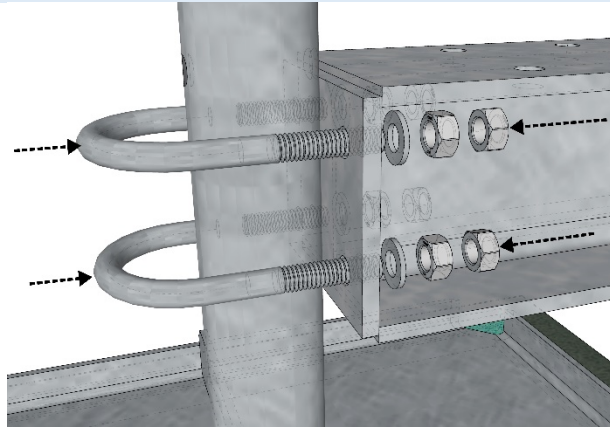


MOUNTING INSTRUCTION

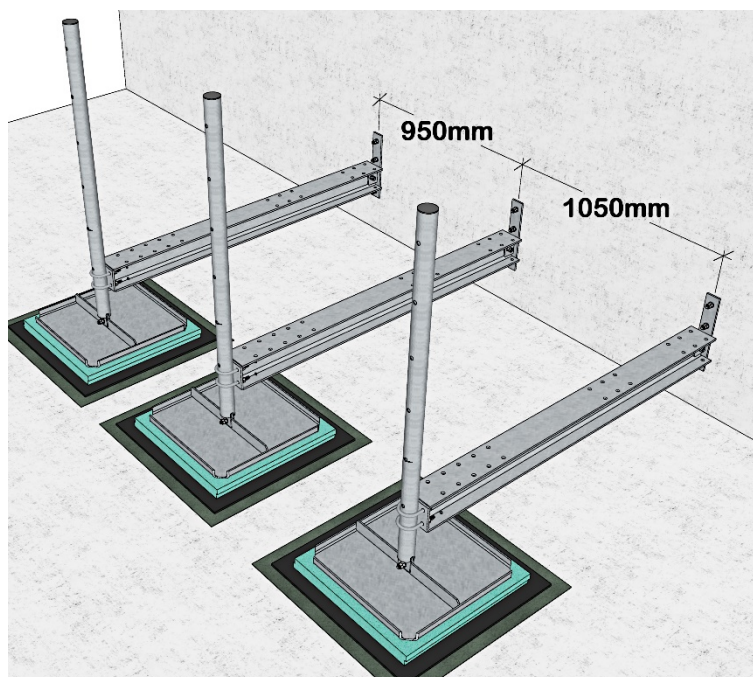
i Connect horizontal beam to the wall support using M12x40 bolt/ Use counter bolt



i Connect horizontal beam to the vertical support pipe using U-bolts from the GR120-11-P19L set.

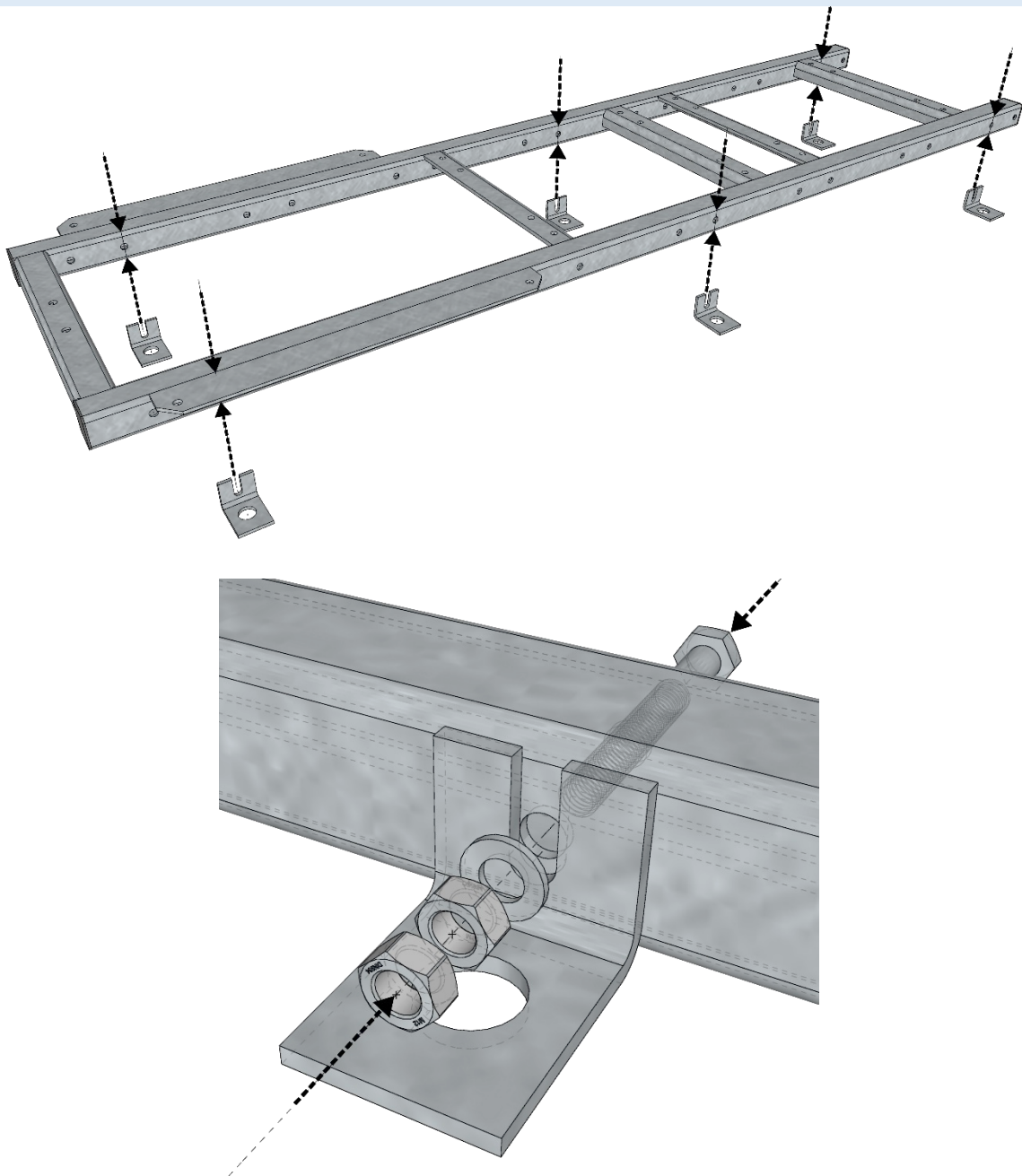


i Recommended: Distance between three wall brackets/main horizontal beams should be 950/1050mm



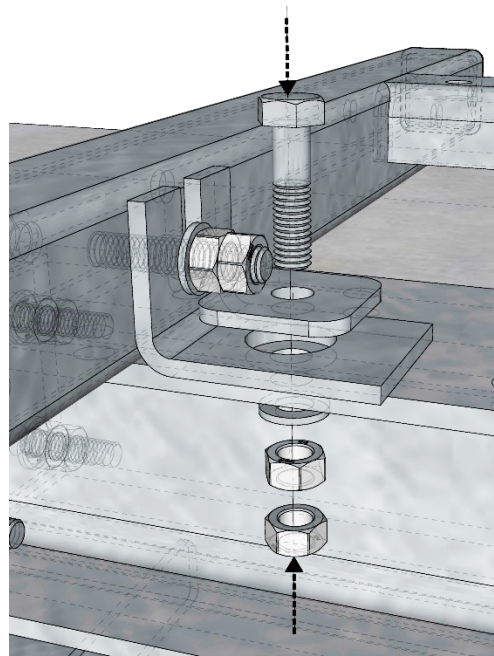
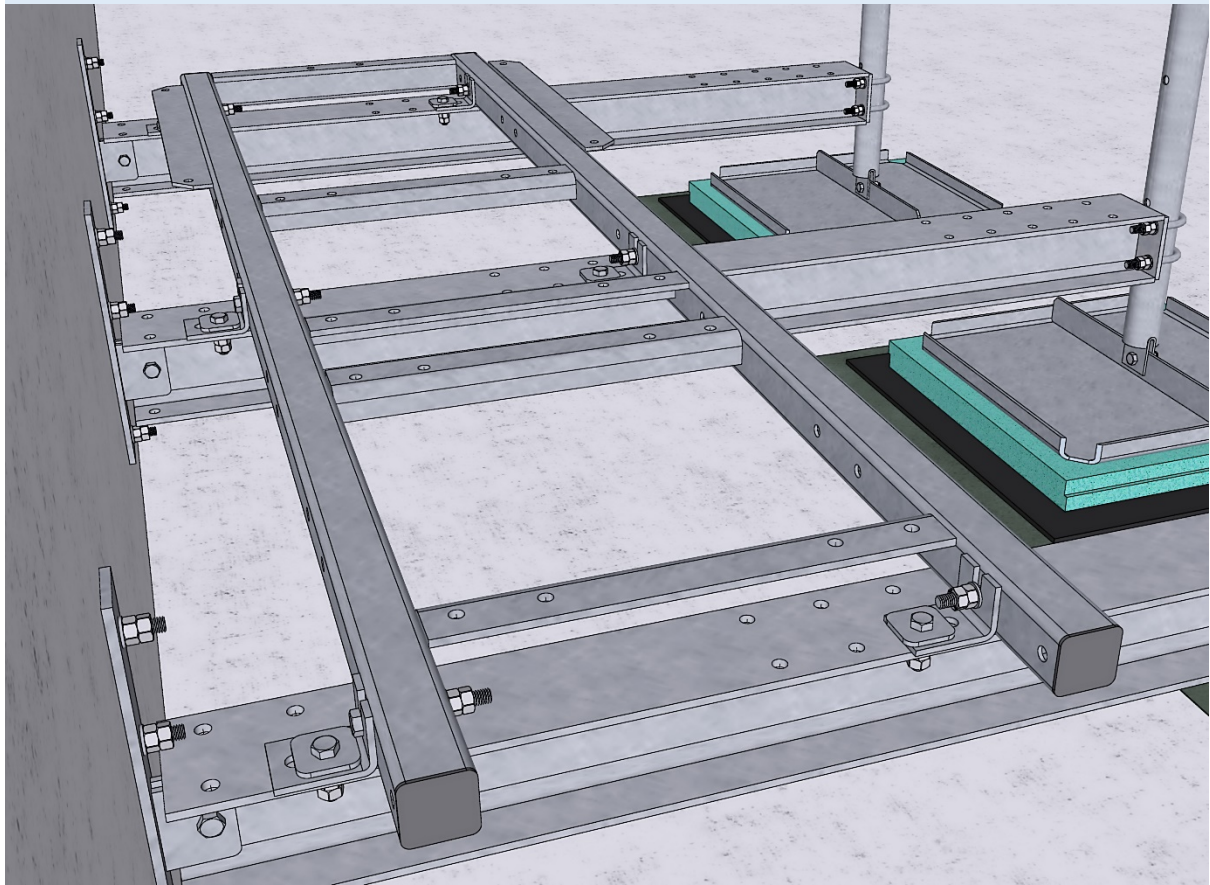
5. EQUIPMENT FRAME

i Prepare frame **GR120-12-P25** by adding 6x fixing brackets **GR120-10-P08** using 6x M12x100 bolts
Distance between fixing brackets should follow distance between horizontal beams – 950/1050mm



MOUNTING INSTRUCTION

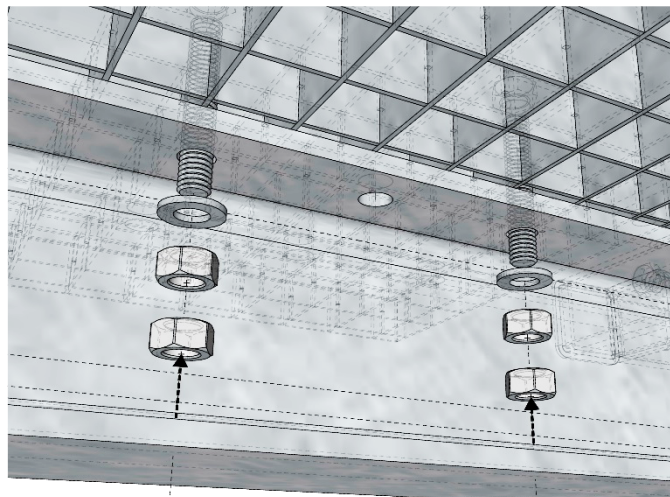
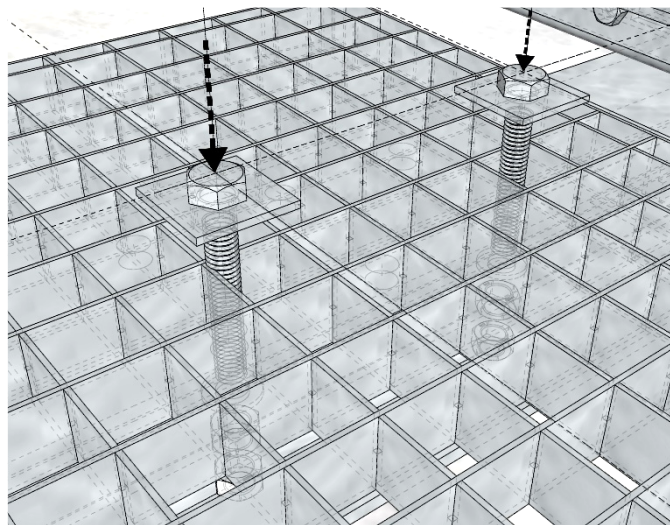
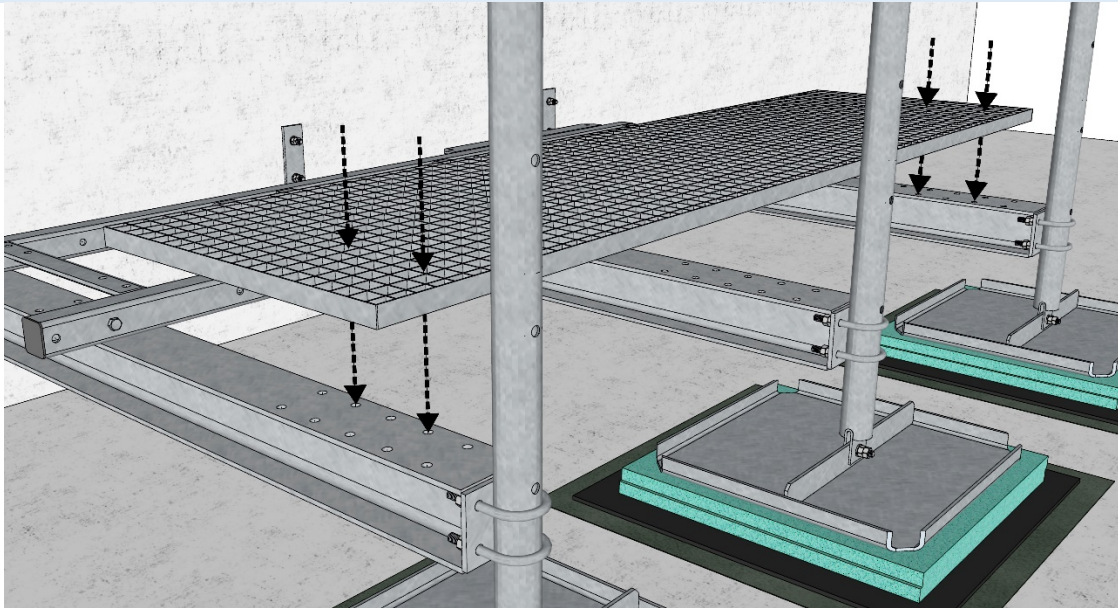
i set the frame for equipment over prepared beams using 6x M12x40 bolts



6. STEEL LATTICE PLATFORM

i Set steel lattice platform **GR120-15-P58** over the horizontal beams and attach them directly to the beams using 4x M12x100 bolts and square washers on the top side (use counter bolts)

Note: Bolts, Nuts and Washers are not included

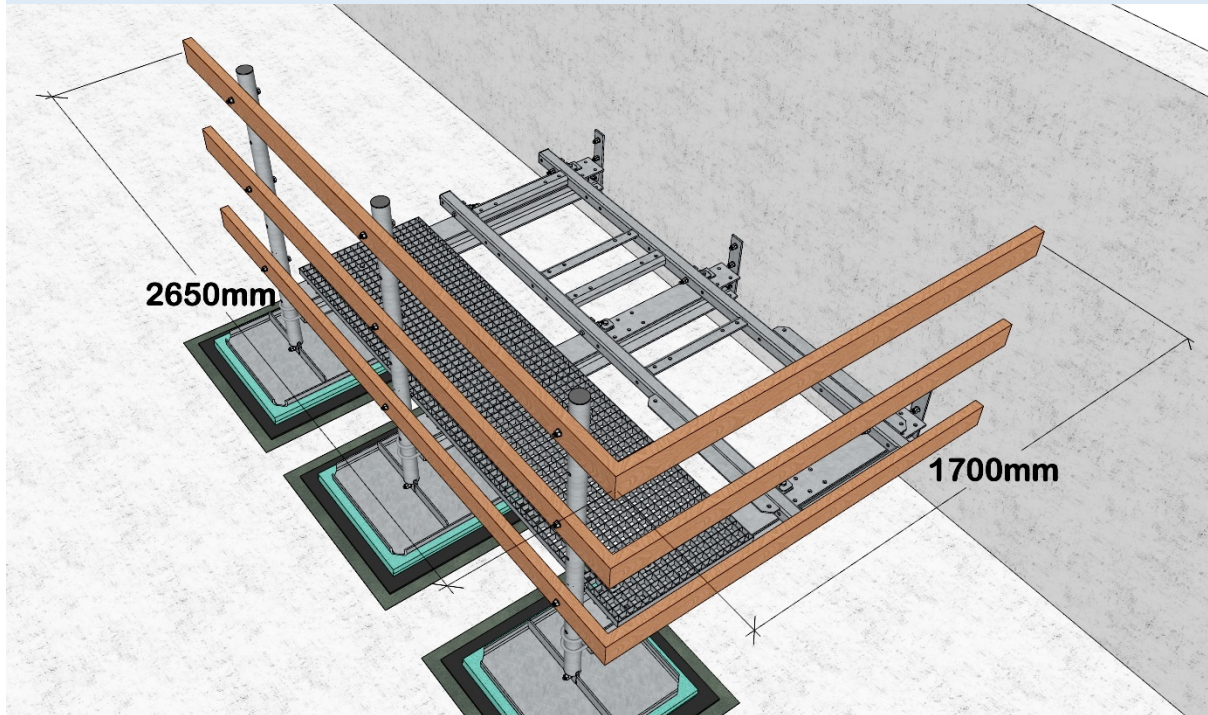


7. WOODEN BEAM FENCE

i Secure RBS platform **GR129-14** by making fence using wooden beams

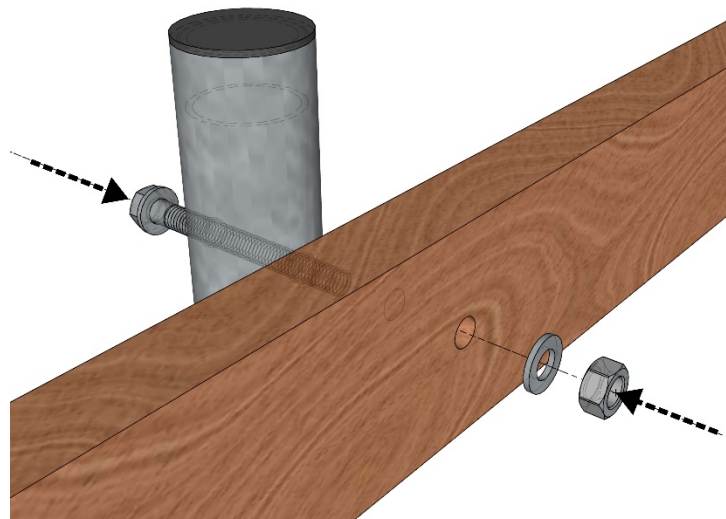
Recommended: Use wooden beam IMP 36x98mm/ Vertical distance 400mm in 3 rows

Note: Wooden material is not included!



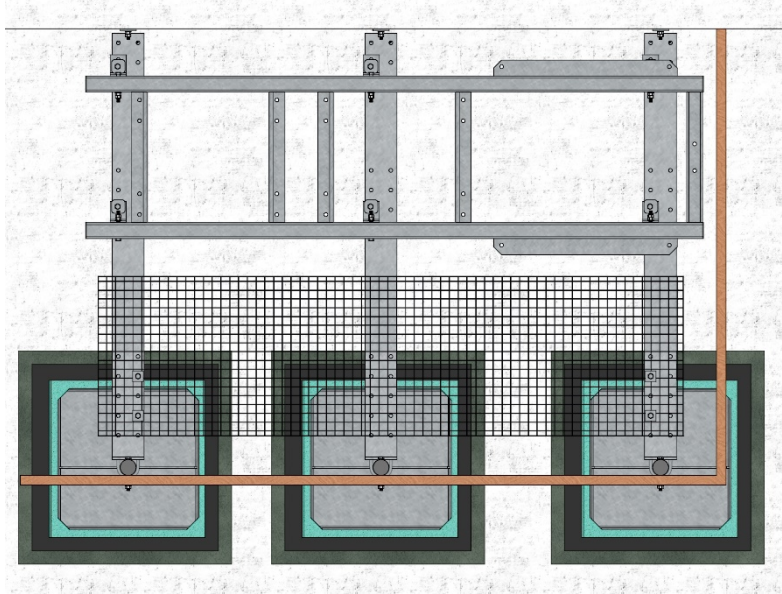
i Joint wooden beam IMP 36x98 to vertical support using M12x100mm bolts

Note: Bolts are not included!

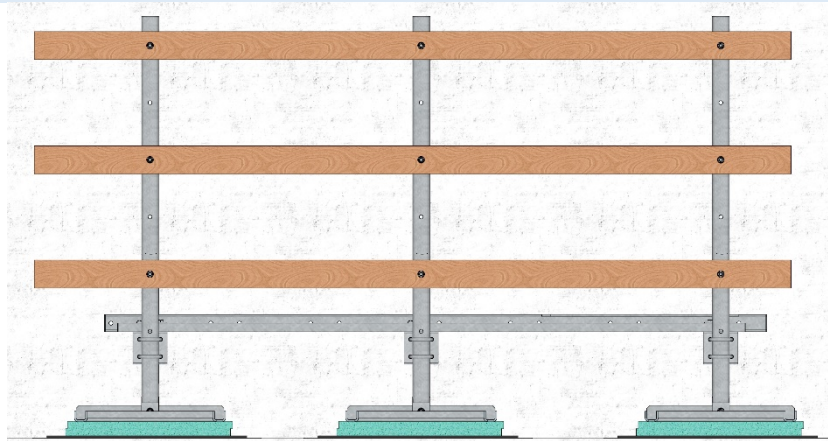


8. LAYOUT DRAWING

i Top view



i Front view



i Side view

